

# **IST8310**

# **3D Magnetometer**

# **Brief Datasheet**

---

# Table of Contents

- 1 GENERAL DESCRIPTION ..... 3**
- 2 BLOCK DIAGRAM, PACKAGE DIMENSION AND APPLICATION CIRCUIT ... 4**
  - 2.1 Block diagram ..... 4
  - 2.2 Package Dimensions and Pin Description..... 4
  - 2.3 Application Circuit..... 6
- 3 ELECTRICAL SPECIFICATIONS ..... 7**
  - 3.1 Absolute Maximum Ratings..... 7
  - 3.2 Recommended Operating Conditions..... 7
  - 3.3 Electrical Specifications ..... 7
  - 3.4 Magnetic Sensor Specifications..... 8
- 4 ORDERING INFORMATION ..... 9**

## 1 General Description

iSentek IST8310 is a 3-axis digital magnetometer with 3.0x3.0x1.0mm<sup>3</sup>, 16-pin LGA package. It is an integrated chip with 3-axis magnetic sensors, digital control logic, built-in temperature compensation circuit and self-test function. IST8310 provides an I<sup>2</sup>C digital output with fast mode up to 400kHz. The high output data rate, ultra-low hysteresis, excellent temperature drift and low noise performance features make it a perfect candidate for high accuracy applications.

### Features

- Single chip 3-axis magnetic sensor
- 3.0x3.0x1.0mm<sup>3</sup>, 16-pin LGA package
- I<sup>2</sup>C slave, Fast Mode up to 400kHz
- 14 bits data output
- Wide dynamic range of ±1600uT (x, y-axis) and ±2500uT (z-axis)
- High output data rate of maximum 200Hz
- Ultra-low hysteresis (<0.1%FS)
- Ultra-low sensitivity temperature drift (±0.016 %/°K)
- Ultra-low offset temperature drift (0.024uT/°K)
- Wide operating temperature range
- High precision temperature compensation
- Built-in self-test function
- Software and algorithm support available (For tilt compensation, cross-axis compensation and noise suppression)

### Applications

Quadcopter/Drone Applications  
Augmented Reality Applications  
Virtual Reality Applications  
Location Based Services  
Navigation Applications  
Industrial Applications  
Magnetometry  
IOT devices  
Heading  
Gaming

## 2 Block Diagram, Package Dimension and Application Circuit

### 2.1 Block diagram

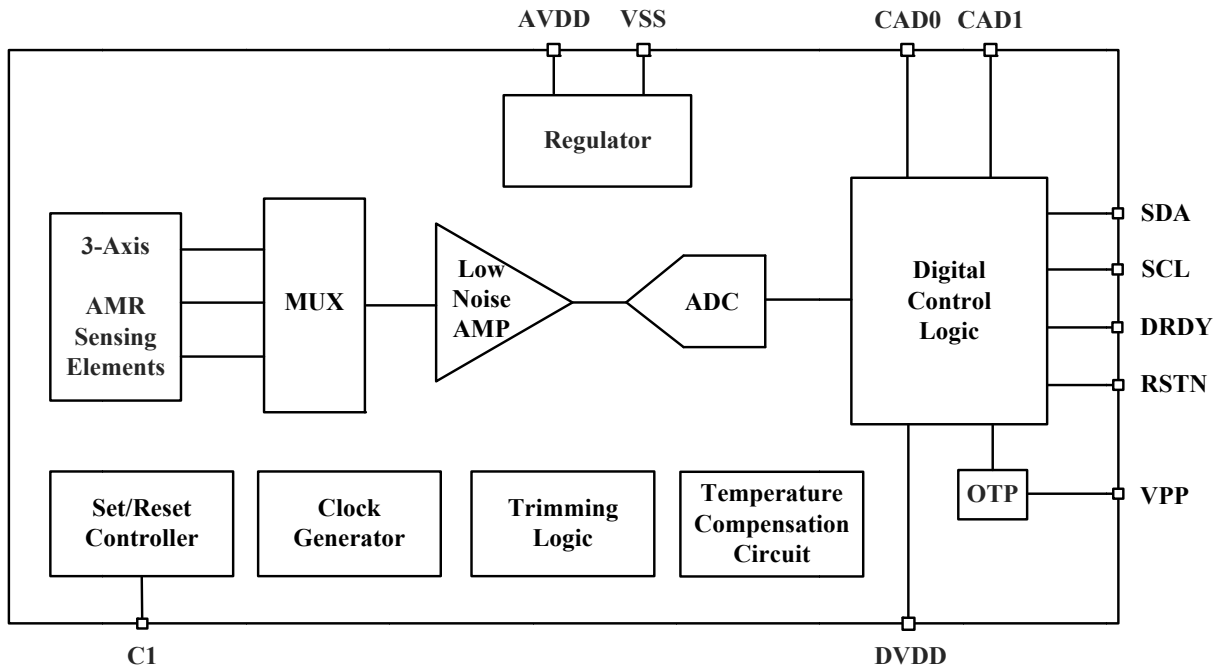
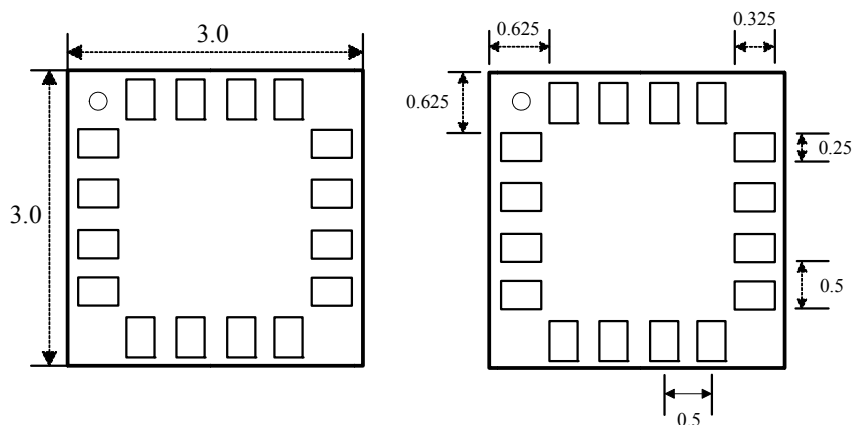


Figure 1. Block Diagram

### 2.2 Package Dimensions and Pin Description

#### IST8310 LGA Top View (Looking Through)

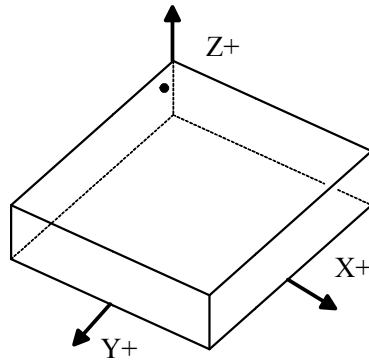


Unit: mm  
Tolerance:  $\pm 0.1$ mm

IST8310 LGA Side View



IST8310 3D Top View



Unit: mm  
Tolerance: ±0.1mm

Pin	Name	Function
1	SCL	I <sup>2</sup> C serial clock
2	AVDD	Analog supply voltage, 1.72~3.6V
3	NC	Not use
4	NC	Not use
5	CAD0	I <sup>2</sup> C slave address
6	CAD1	I <sup>2</sup> C slave address
7	VPP	Test pin, floating connection is suggested
8	NC	Not use
9	VSS	GND
10	C1	Set/Reset function, 4.7uF
11	VSS	GND
12	NC	Not use
13	DVDD	Digital supply voltage, 1.72~3.6V
14	RSTN	Reset pin, resets registers by setting it to “Low”. Internally pulled to “High” for floating connection. MCU connection is suggested (but not necessary).
15	DRDY	Data ready indication, output pin only
16	SDA	I <sup>2</sup> C serial data

\*please refer to Figure 2.

2.3 Application Circuit

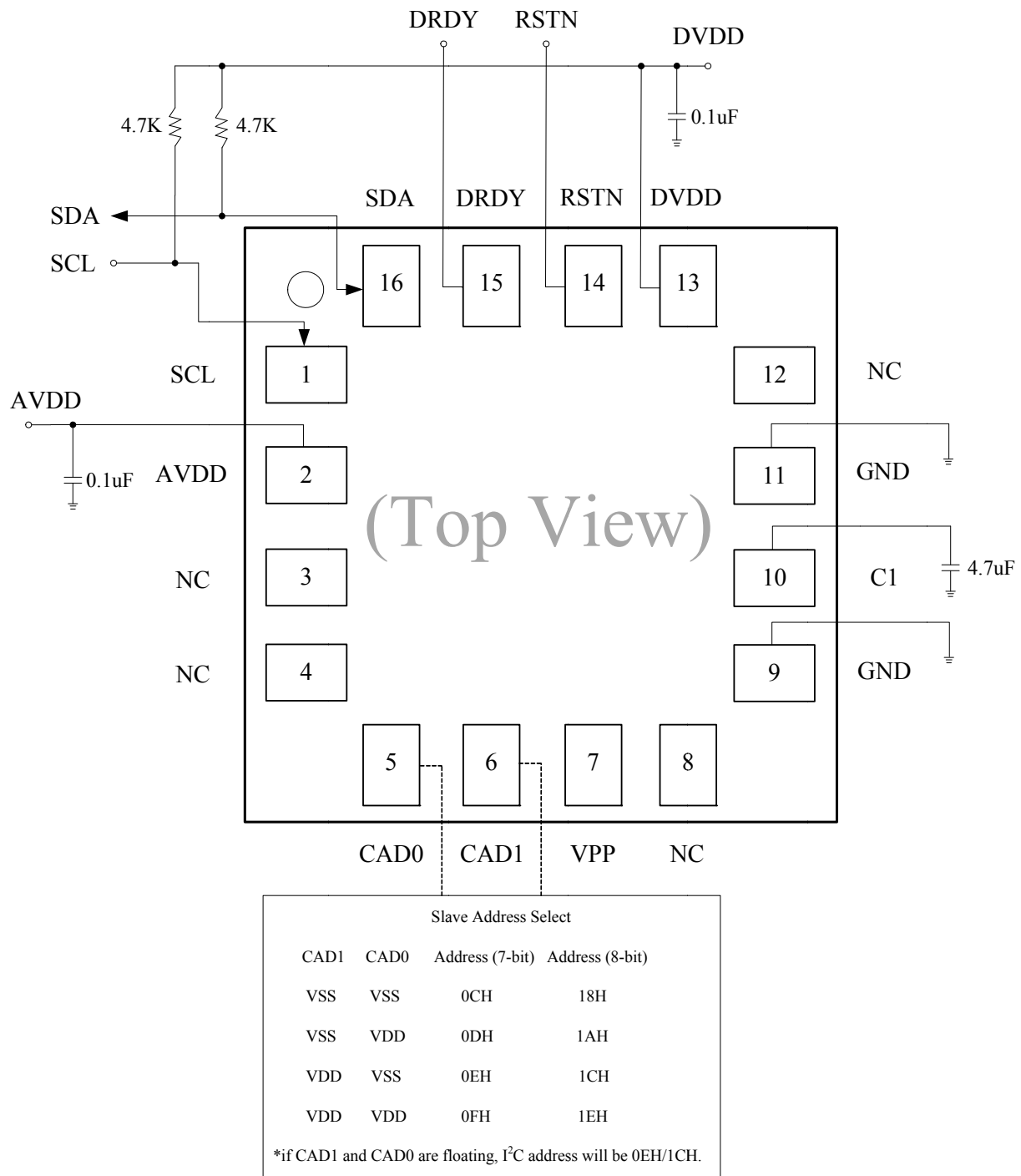


Figure 2. Application Circuit

### 3 Electrical Specifications

#### 3.1 Absolute Maximum Ratings

Parameter	Symbol	Limits	Unit
Storage Temperature	TSTG	-40 to +125	°C
Operating Temperature	TA	-40 to +85	°C
Analog Supply Voltage	AVDD	-0.5 to +3.6	V
Digital Supply Voltage	DVDD	-0.5 to +3.6	V
Digital Input Voltage	VIN	-0.3 to DVDD+0.3	V
Electrostatic Discharge Voltage* <sup>1</sup>	VESD_HBM	-4000 to 4000	V
Electrostatic Discharge Voltage* <sup>2</sup>	VESD_MM	-350 to 350	V
Reflow Classification	JESD22-A113 with 260 °C Peak Temperature		

1. Human Body Model (HBM)
2. Machine Model (MM)

#### 3.2 Recommended Operating Conditions

Parameter	Symbol	Min.	Typ.	Max.	Unit
Operating Temperature	TA	-40		+85	°C
Analog Supply Voltage	AVDD	1.72	2.8	3.6	V
Digital Supply Voltage	DVDD	1.72	1.8	3.6	V

#### 3.3 Electrical Specifications

(Operating conditions: TA=+25°C; AVDD=2.8V; DVDD=1.8V; 0.1µF ceramic capacitors tied closely to AVDD/DVDD and GND respectively.)

Parameter	Symbol	Conditions	Min.	Typ.	Max	Unit
Operating Current	IDD3A	Full operation, at				µA
		1 sps		20		
		8 sps		72		
		10 sps		80		
		20 sps		140		
		50 sps		320		
		100 sps		600		
200 sps		1200				
Standby Current	ISTB			10		µA

Output Data Rate (ODR)	ODR		1		200	Hz
Input Low Voltage	VIL		0		DVDD *30%	V
Input High Voltage	VIH		DVDD *70%		DVDD	V
Output Low Voltage	VOL	IOL= +4 mA	0		DVDD *20%	V
Output High Voltage	VOH	IOH= -100 uA (Except SCL and SDA)	DVDD *80%		DVDD	V

### 3.4 Magnetic Sensor Specifications

(Operating conditions: Ta=+25°C; AVDD=2.8V; DVDD=1.8V; 4.7µF ceramic capacitors  **tied closely** to C1 and GND respectively. )

Parameter	Symbol	Condition	Min.	Typ.	Max	Unit
Dynamic Range	MDR_XY	TA=25 °C		±1600		uT
	MDR_Z	TA=25 °C		±2500		
Linearity	LIN	X-axis		1	1.5	%FS
		Y, Z-axis		0.1	0.5	
Resolution	RESO			0.3		uT/LSB
Sensitivity	SEN			3.3		LSB/uT
Zero Gauss Offset	ZGD	RMS value		±0.3		uT
Hysteresis	HS			0.1		%FS
Sensitivity Temperature Drift	TD_S	-40 ~ 85 °C		±0.016		%/°K
Zero-B Offset Temperature Drift	TD_O	-40 ~ 85 °C		0.024		uT/°K



## 4 Ordering Information

Order Number	Package Type	Packaging	Marking Information
IST8310	LGA – 16 pin	Tape and Reel: 5k pieces per reel	X <sub>1</sub> X <sub>2</sub> X <sub>3</sub> 0 010● X <sub>1</sub> : Last number of the year X <sub>2</sub> X <sub>3</sub> : Week number 010: Product code of IST8310

For more information on iSentek’s Magnetic Sensors, please contact us by phone at +86-132-6706-8686 (China), +86-755-2991-0201 (China) or +886-2-2698-3306 ext:110 (Taiwan); via e-mail: [sales@isentek.com](mailto:sales@isentek.com) or visit us online at [www.isentek.com](http://www.isentek.com).

The application circuits herein constitute typical usage and interface of iSentek’s product. iSentek does not warranty or assume liability of customer-designed circuits derived from this description or depiction.

iSentek reserves the right to make changes to improve reliability, function or design. iSentek does not assume any liability arising out of the application or use of any product or circuit described herein; neither does it convey any license under its patent rights nor the rights of others.

US Patent 9,297,863, Taiwanese Patents I437249, I420128 and I463160 apply to our magnetic sensor technology described.